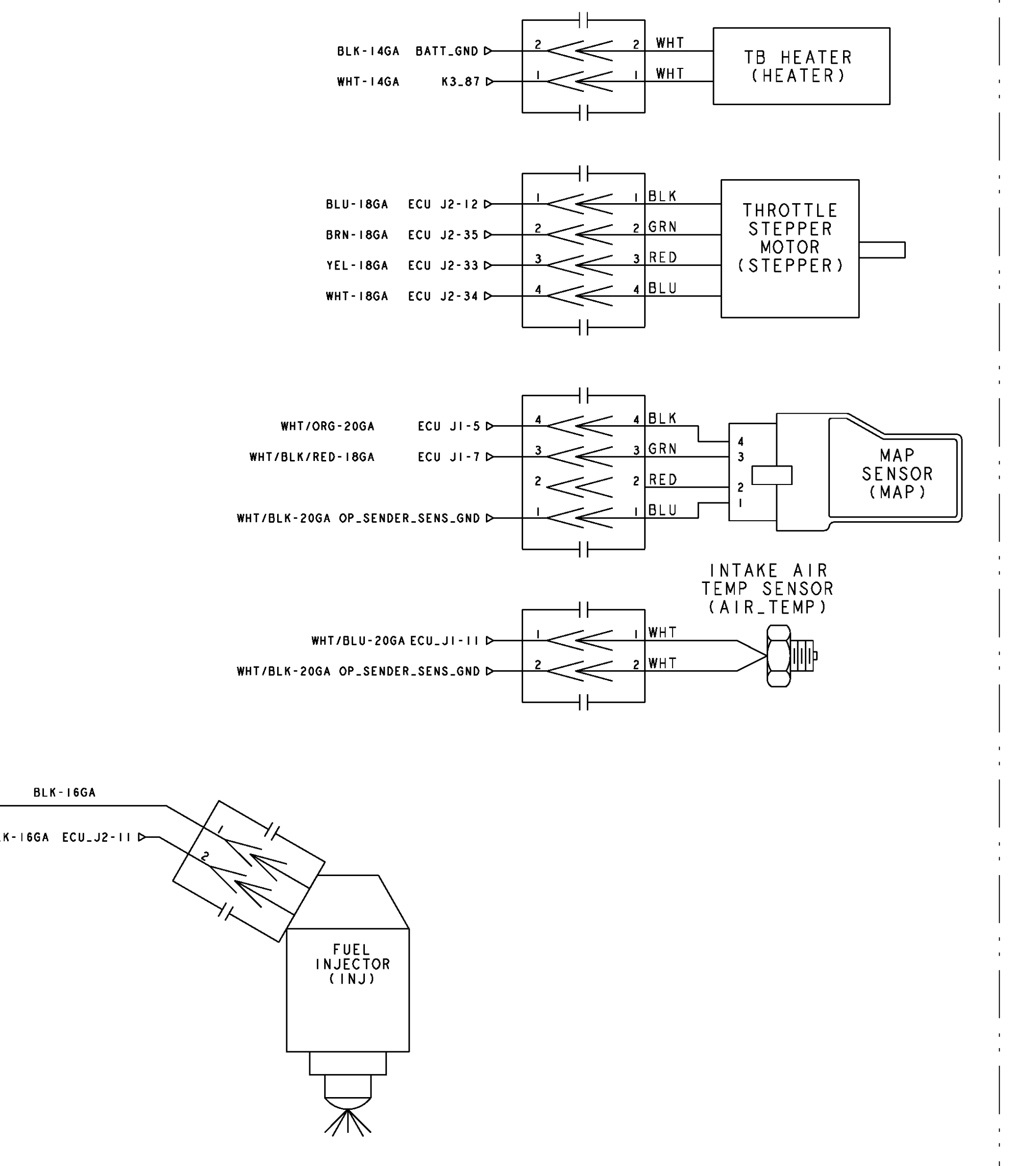
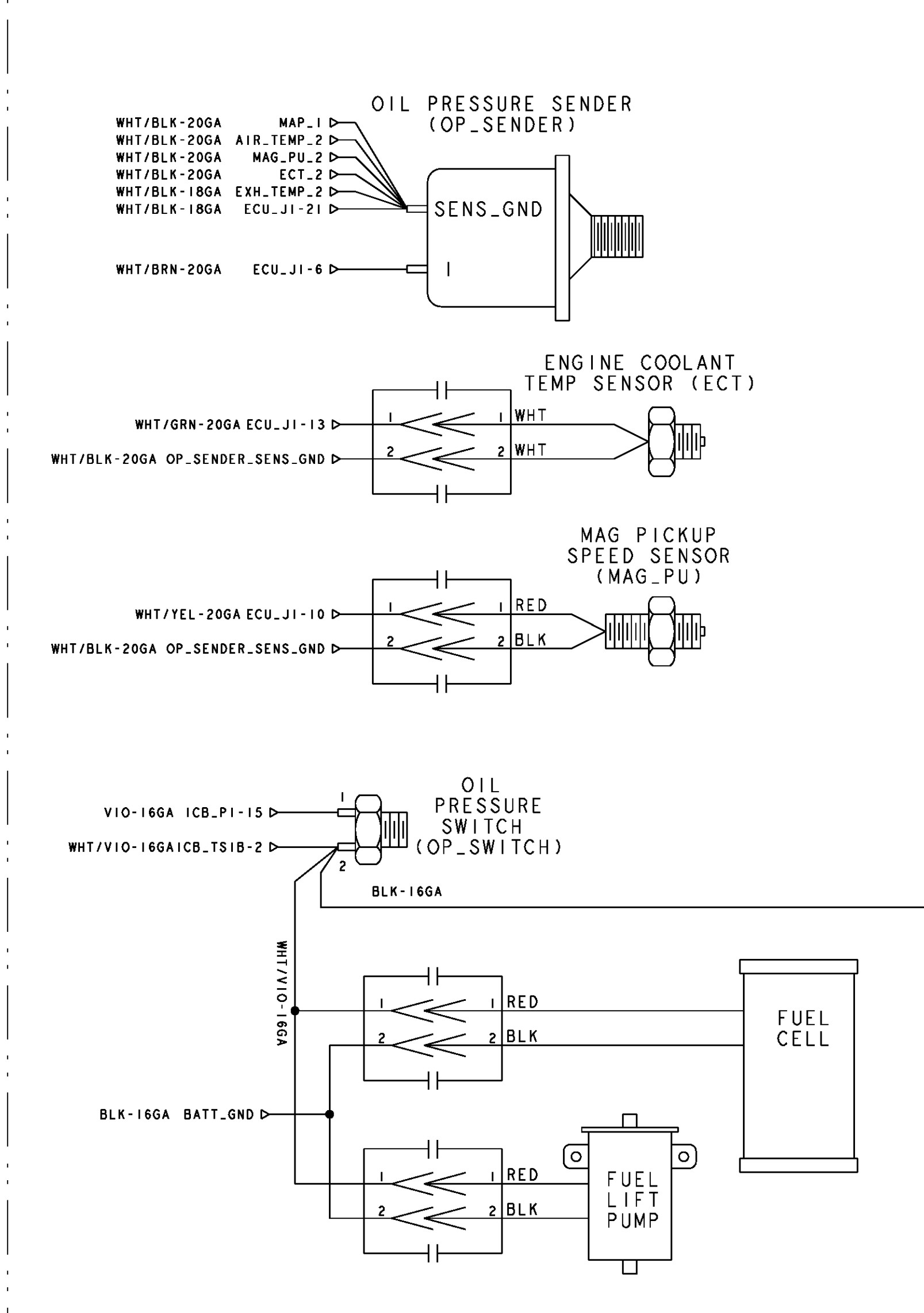
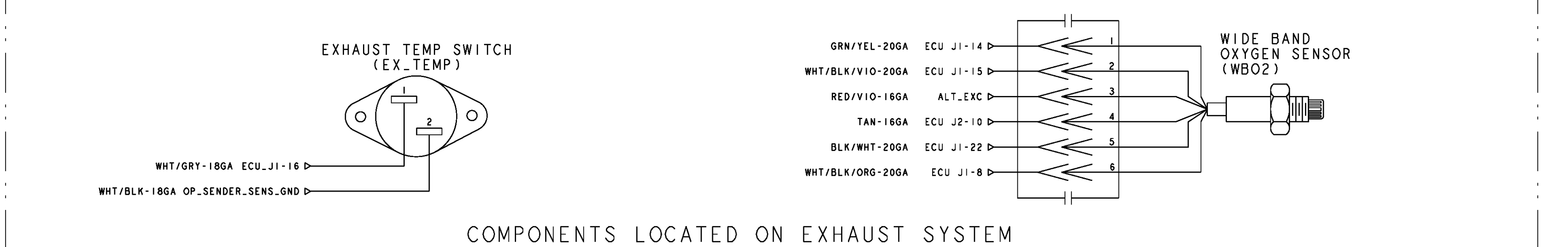
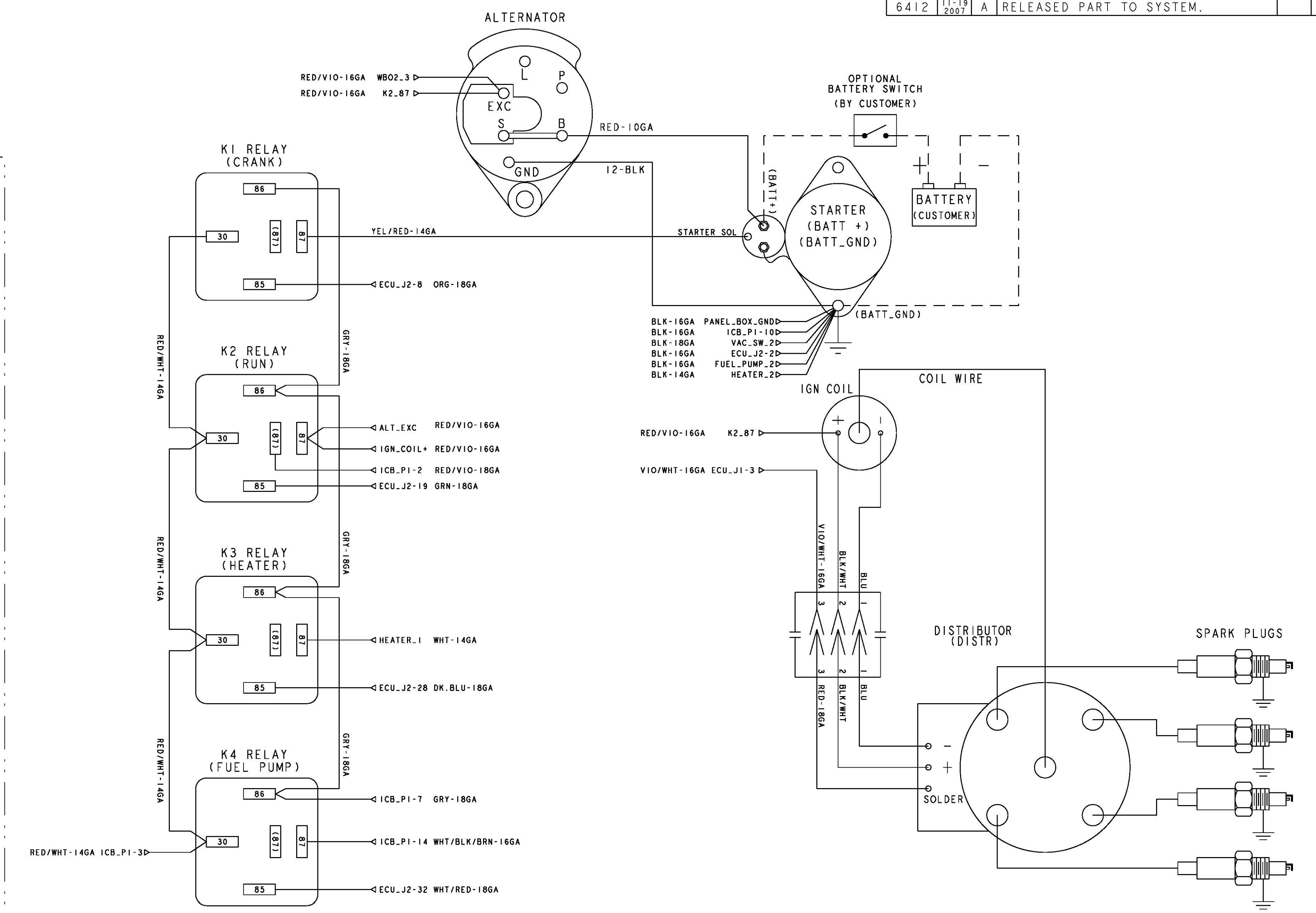
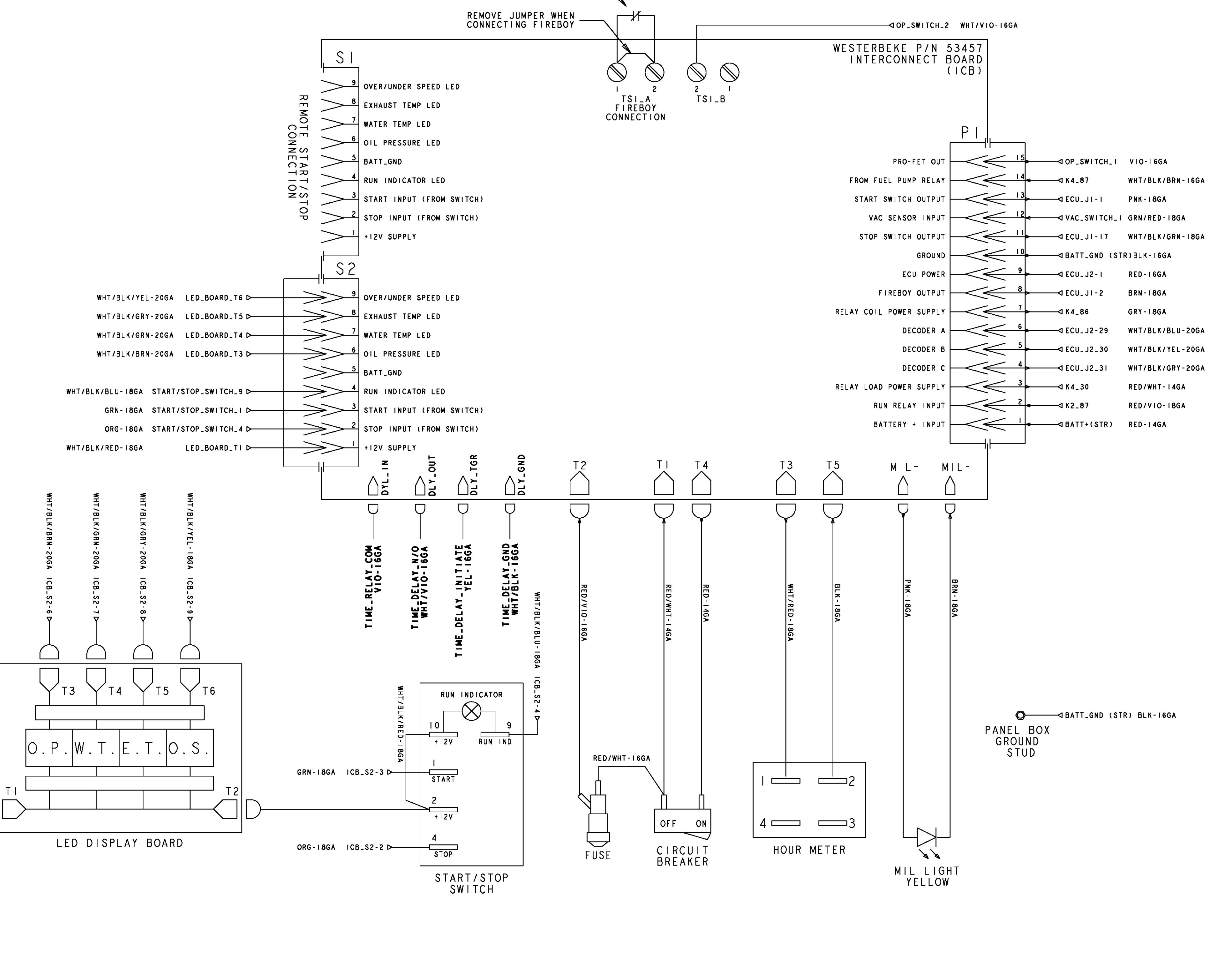


CONNECT TO FIREBOY CONNECTION TO DRY CONTACTS ONLY NOT A POWER SOURCE!

REMOVE JUMPER WHEN CONNECTING FIREBOY



COMPONENTS LOCATED IN CONTROL PANEL BOX

COMPONENTS LOCATED ON ENGINE BLOCK

COMPONENTS LOCATED ON INTAKE THROTTLE BODY